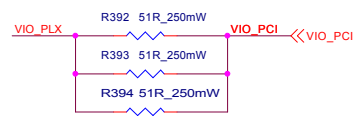
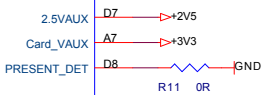
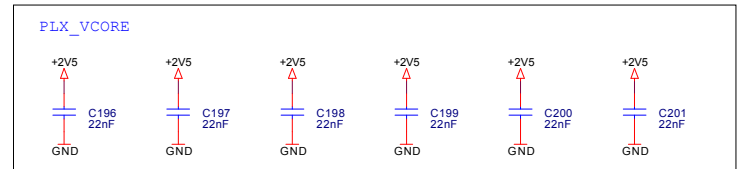
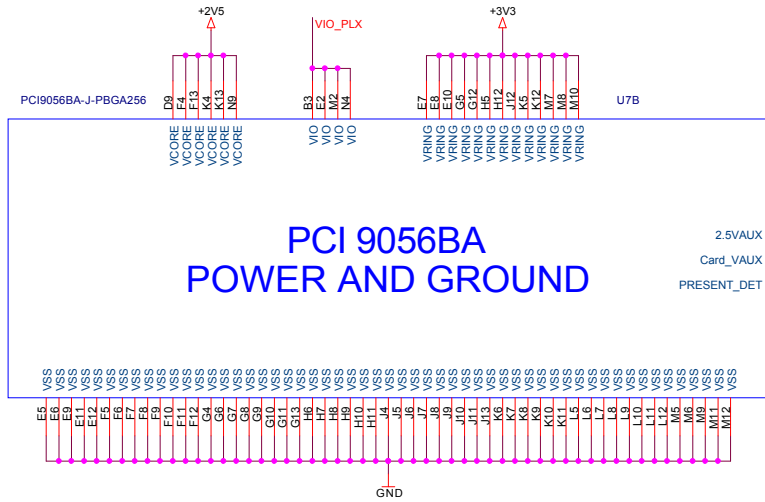


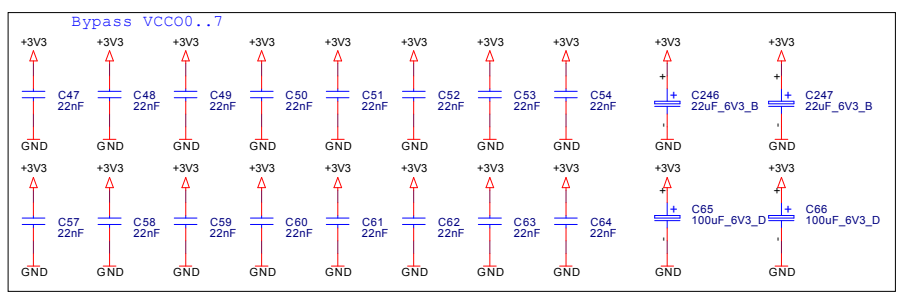
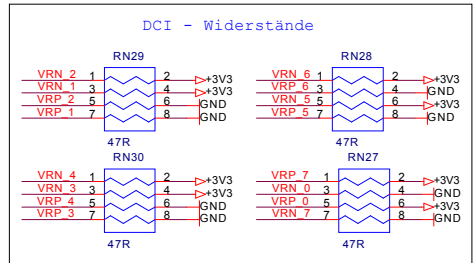
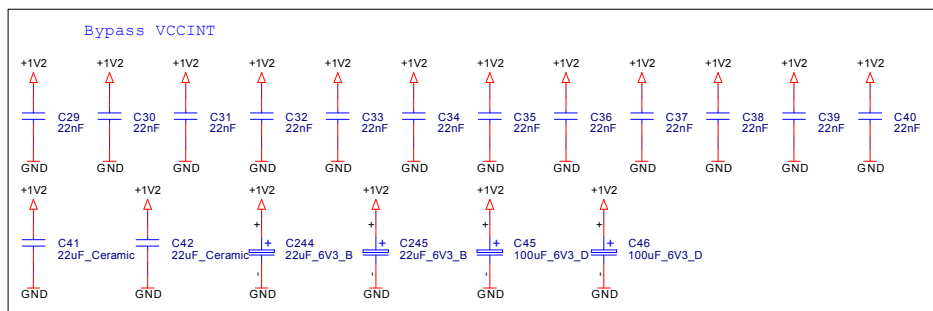
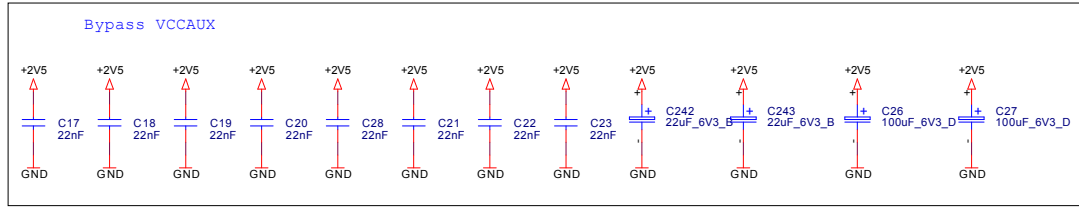
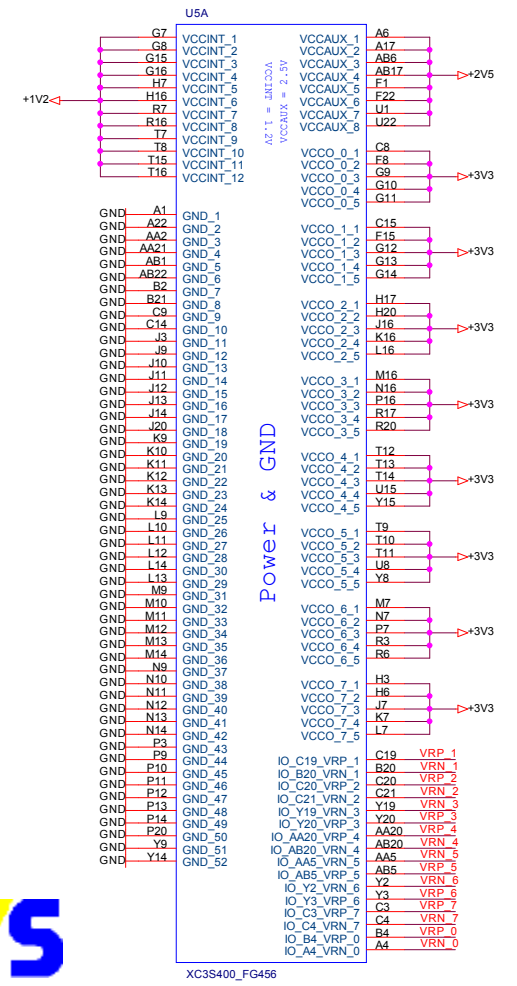
(c) 2008 CESYS GmbH
 This schematics is for
 reference purposes only.
 Do not copy or distribute.

| | | |
|---|---|------------|
| CESYS GmbH © www.cesys.com | | |
| Title Power Supply | | |
| Size A3 | Document Number C1010-3105 PCIS3BASE | Rev 1.0 |
| Date: Tuesday, April 08, 2008 | Sheet 1 | of 9 |

PCI 9056BA POWER AND GROUND



XC3S400

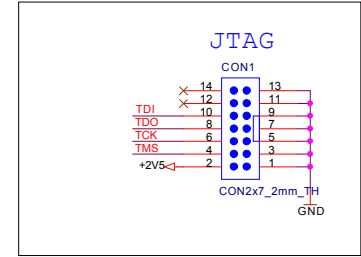
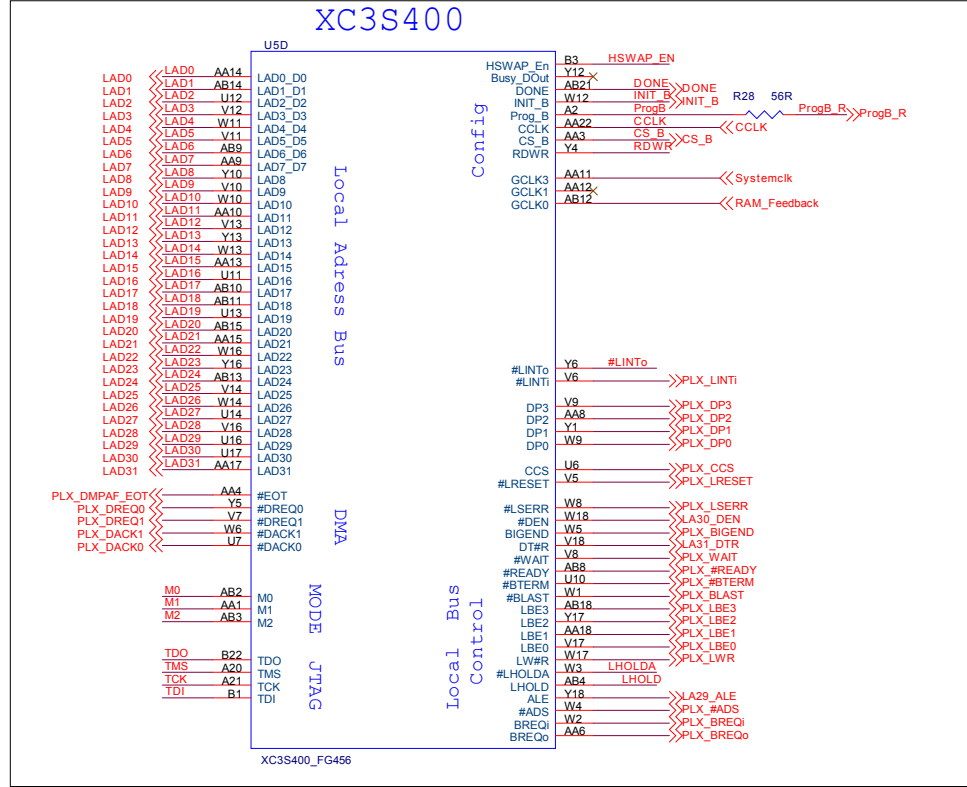


(c) 2008 CESYS GmbH
This schematics is for
reference purposes only.
Do not copy or distribute.

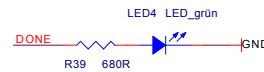
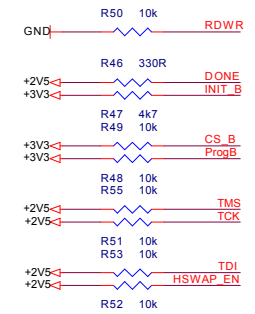
| | | |
|----------------------------------|---|------------|
| CESYS GmbH © | | |
| Title FPGA & PCI POWER | | |
| Size A3 | Document Number C1010-3105 PCIS3BASE | Rev 1.0 |
| Date: Tuesday, April 08, 2008 | Sheet 2 | of 9 |

FPGA-Config über LocalBUS

some confidential information removed here ...

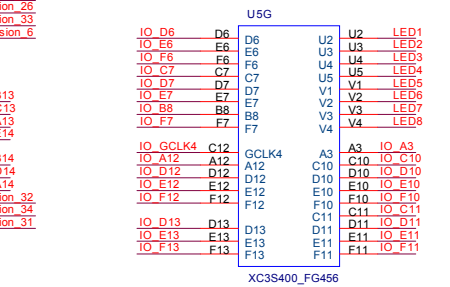
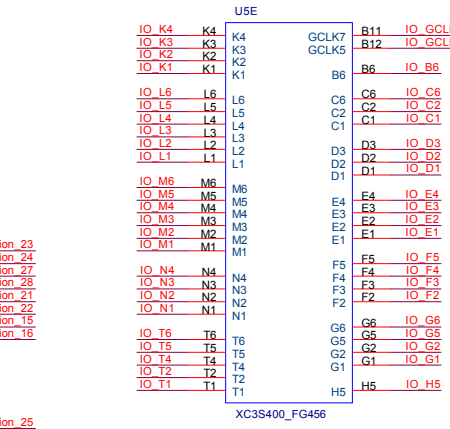
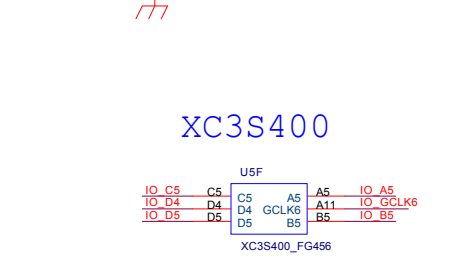
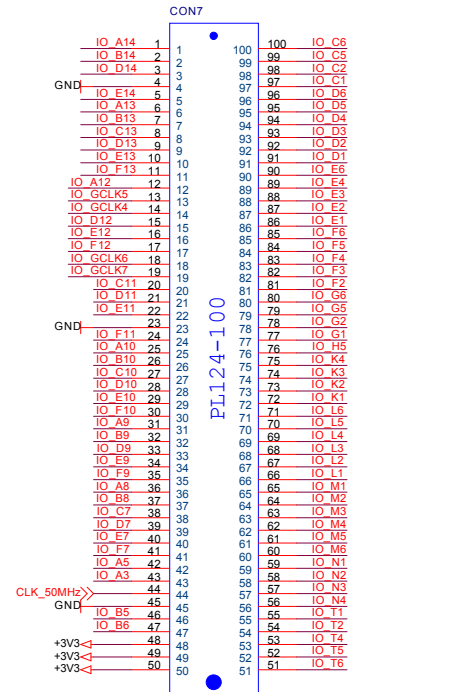
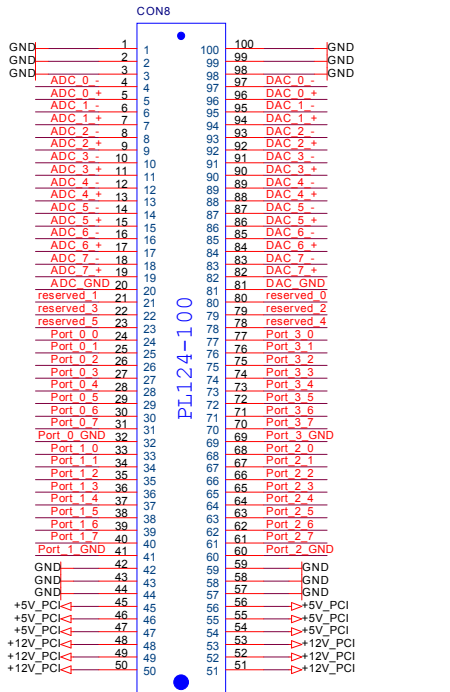
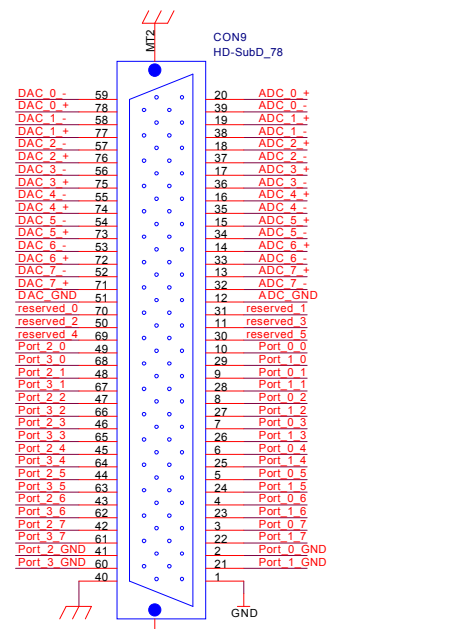
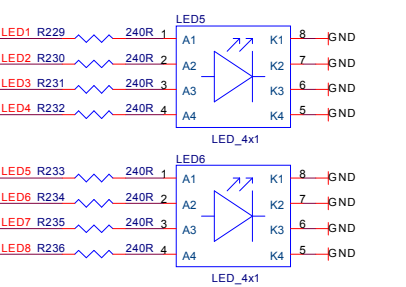
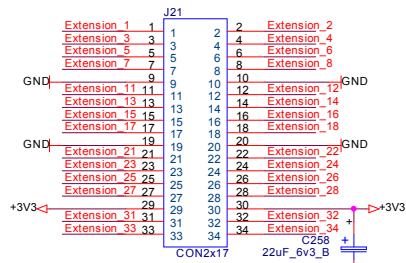
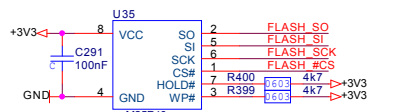
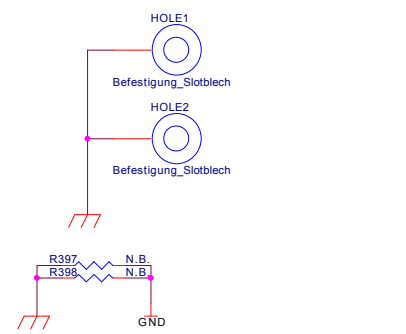


PullUp / PullDown



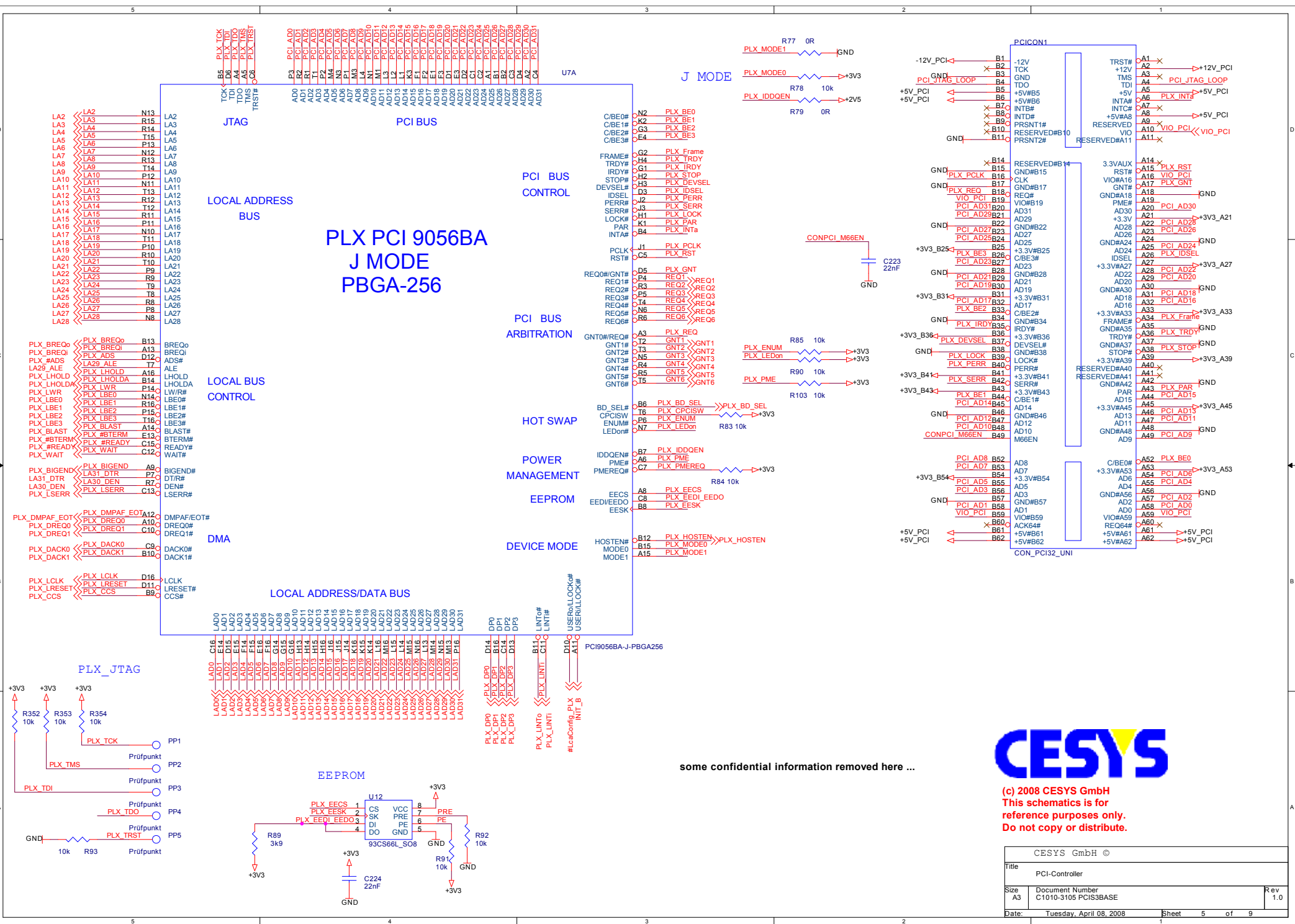
(c) 2008 CESYS GmbH
This schematics is for reference purposes only.
Do not copy or distribute.

| | | |
|--------------|-------------------------|--------------|
| CESYS GmbH © | | |
| Title | FPGA Config & Local Bus | |
| Size | Document Number | Rev |
| A3 | C1010-3105 PCIS3BASE | 1.0 |
| Date: | Tuesday, April 08, 2008 | Sheet 3 of 9 |



(c) 2008 CESYS GmbH
This schematics is for reference purposes only.
Do not copy or distribute.

| | | |
|--------------|-------------------------|--------------|
| CESYS GmbH © | | |
| Title | IO-Connectors | |
| Size | Document Number | Rev |
| A3 | C1010-3105 PCIS3BASE | 1.0 |
| Date: | Tuesday, April 08, 2008 | Sheet 4 of 9 |

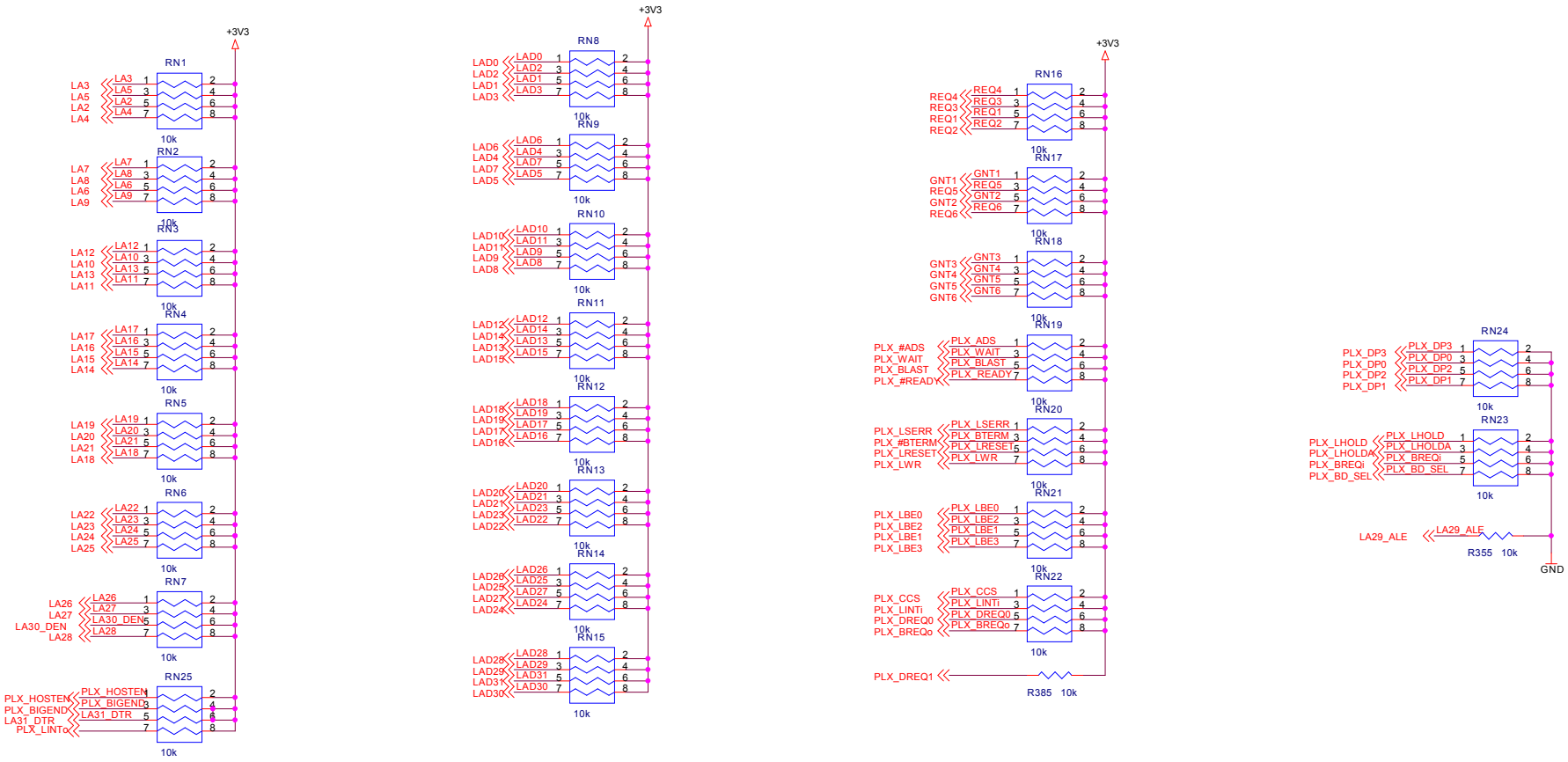


some confidential information removed here ...



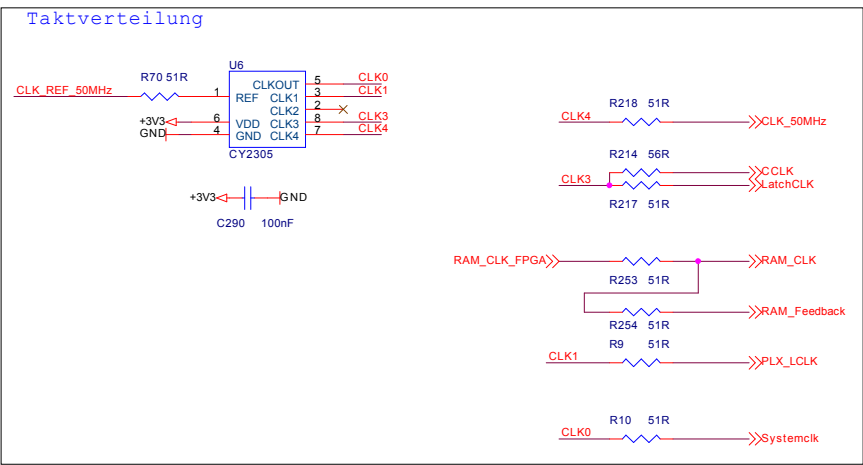
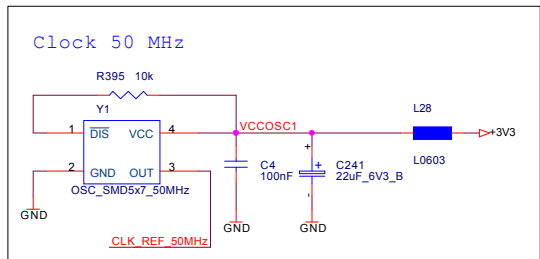
(c) 2008 CESYS GmbH
 This schematics is for
 reference purposes only.
 Do not copy or distribute.

| | | | |
|-------------------------------|--|----------|--|
| CESYS GmbH © | | | |
| Title: PCI-Controller | | | |
| Size: A3 | Document Number: C1010-3105 PCIS38BASE | Rev: 1.0 | |
| Date: Tuesday, April 08, 2008 | Sheet: 5 of 9 | | |



(c) 2008 CESYS GmbH
 This schematics is for
 reference purposes only.
 Do not copy or distribute.

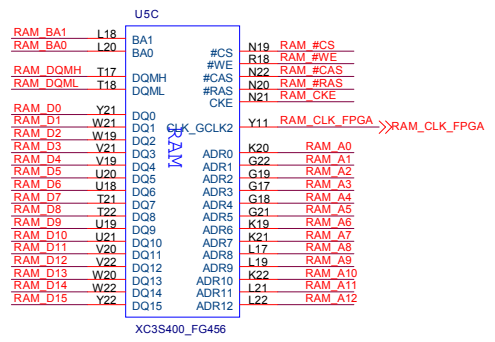
| | | |
|--------------|-------------------------|--------------|
| CESYS GmbH © | | |
| Title | Pull-Up/ -Down PLX | |
| Size | Document Number | Rev |
| A3 | C1010-3105 PCIS3BASE | 1.0 |
| Date: | Tuesday, April 08, 2008 | Sheet 6 of 9 |



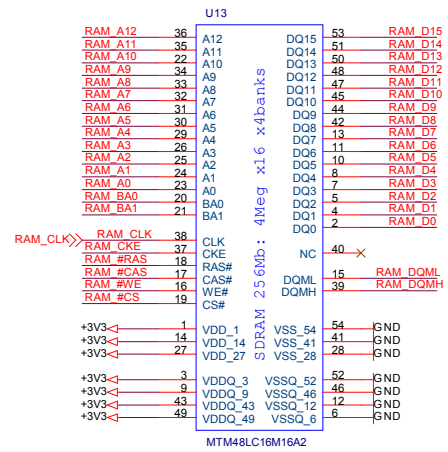
(c) 2008 CESYS GmbH
 This schematics is for
 reference purposes only.
 Do not copy or distribute.

| | | |
|--------------|-------------------------|--------------|
| CESYS GmbH © | | |
| Title | CLOCK & PLL | |
| Size | Document Number | Rev |
| A3 | C1010-3105 PCIS3BASE | 1.0 |
| Date: | Tuesday, April 08, 2008 | Sheet 7 of 9 |

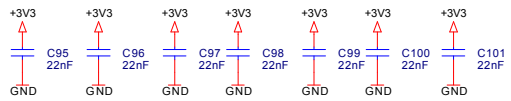
XC3S400



RAM 256MBit



Bypass für RAM



(c) 2008 CESYS GmbH
This schematics is for
reference purposes only.
Do not copy or distribute.

| | | |
|--------------|-------------------------|--------------|
| CESYS GmbH © | | |
| Title | RAM | |
| Size | Document Number | Rev |
| A3 | C1010-3105 PCIS3BASE | 1.0 |
| Date: | Tuesday, April 08, 2008 | Sheet 8 of 9 |

U5H

| | | | |
|--------|--------|--------|-------|
| × E5 | NC4_1 | | |
| × B7 | NC4_2 | | |
| × A7 | NC4_3 | | |
| × E8 | NC4_4 | | |
| × D8 | NC4_5 | | |
| × F14 | NC4_6 | | |
| × C16 | NC4_7 | | |
| × D16 | NC4_8 | | |
| × A16 | NC4_9 | | |
| × B16 | NC4_10 | | |
| × G20 | NC4_11 | | |
| × H19 | NC4_12 | | |
| × H18 | NC4_13 | | |
| × J17 | NC4_14 | | |
| × H21 | NC4_15 | | |
| × H22 | NC4_16 | | |
| × J18 | NC4_17 | | |
| × J19 | NC4_18 | | |
| × J21 | NC4_19 | | |
| × J22 | NC4_20 | | |
| × K17 | NC4_21 | NC4_69 | × K6 |
| × K18 | NC4_22 | NC4_66 | × K5 |
| × T20 | NC4_23 | NC4_67 | × J2 |
| × T19 | NC4_24 | NC4_66 | × J1 |
| × R22 | NC4_25 | NC4_65 | × J6 |
| × R21 | NC4_26 | NC4_64 | × J5 |
| × P19 | NC4_27 | NC4_63 | × H4 |
| × R19 | NC4_28 | NC4_62 | × J4 |
| × P18 | NC4_29 | NC4_61 | × H2 |
| × P17 | NC4_30 | NC4_60 | × H1 |
| × P22 | NC4_31 | NC4_59 | × G4 |
| × P21 | NC4_32 | NC4_58 | × G3 |
| × N18 | NC4_33 | NC4_57 | × N5 |
| × N17 | NC4_34 | NC4_56 | × N6 |
| × AA19 | NC4_35 | NC4_55 | × P1 |
| × AB19 | NC4_36 | NC4_54 | × P2 |
| × AA16 | NC4_37 | NC4_53 | × P4 |
| × AB16 | NC4_38 | NC4_52 | × P5 |
| × Y15 | NC4_39 | NC4_51 | × R1 |
| × W15 | NC4_40 | NC4_50 | × R2 |
| × U9 | NC4_41 | NC4_49 | × P6 |
| × Y7 | NC4_42 | NC4_48 | × R5 |
| × W7 | NC4_43 | NC4_47 | × R4 |
| × AB7 | NC4_44 | NC4_46 | × T3 |
| | | NC4_45 | × AA7 |

Bel XC3S400 nicht vorhanden

XC3S400_FG456



(c) 2008 CESYS GmbH
 This schematics is for
 reference purposes only.
 Do not copy or distribute.

| | | |
|--------------|-------------------------|--------------|
| CESYS GmbH © | | |
| Title | Unused IO | |
| Size | Document Number | Rev |
| A3 | C1010-3105 PCIS3BASE | 1.0 |
| Date: | Tuesday, April 08, 2008 | Sheet 9 of 9 |